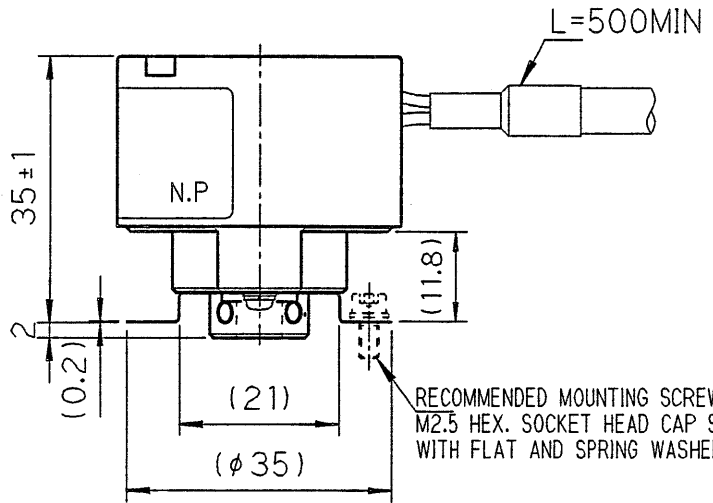
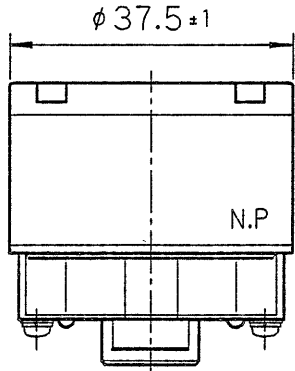
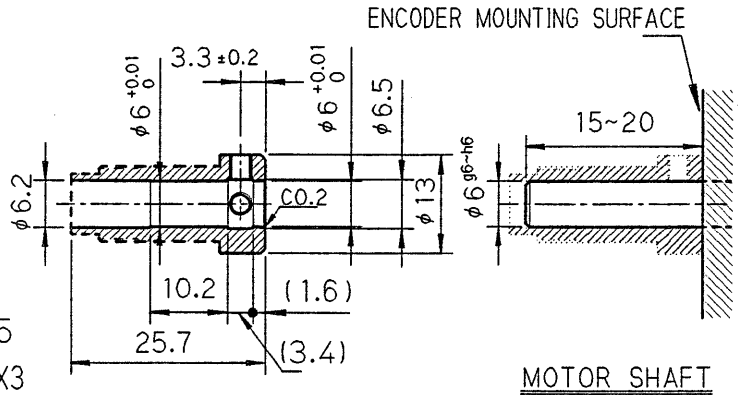
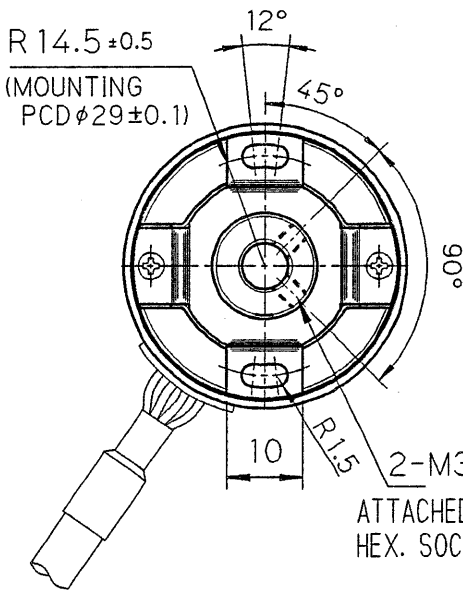


REVISIONS

NO.	DESCRIPTION	DATE / SIGN

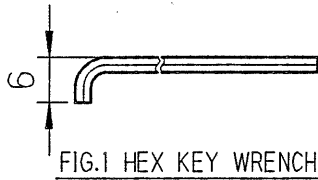


RECOMMENDED MOUNTING SCREWS:
M2.5 HEX. SOCKET HEAD CAP SCREWS
WITH FLAT AND SPRING WASHERS



NOTES

1. Z IS GENERATED WHEN HUB IS ORIENTED AS SHOWN ABOVE.
2. SHAFT LENGTH 15~20mm MAX. FROM MOUNTING SURFACE.
3. PULLING THE CABLE CAUSES DISCONNECTION OF LEADS FROM THE ENCODER.
4. PLEASE USE A BALL POINT WRENCH OR HEX KEY WRENCH(FIG.1) TO TIGHTEN THE MOUNTING SCREW.
5. DIMENSIONS TOLERANCE :±0.5mm (UNLESS OTHERWISE SPECIFIED)



DS'D	DATE 97. 2. 5	MODEL NO.	TITLE FA-CODER OUTLINE										
CH'D <i>R. Tamura</i>	SCALE 1/1	3RD ANGLE PROJECTION	3	4	5	6	7	8	9	10	11	12	SHEET
APP'D <i>S. Soder</i>	DWG NO.	052075006F40											