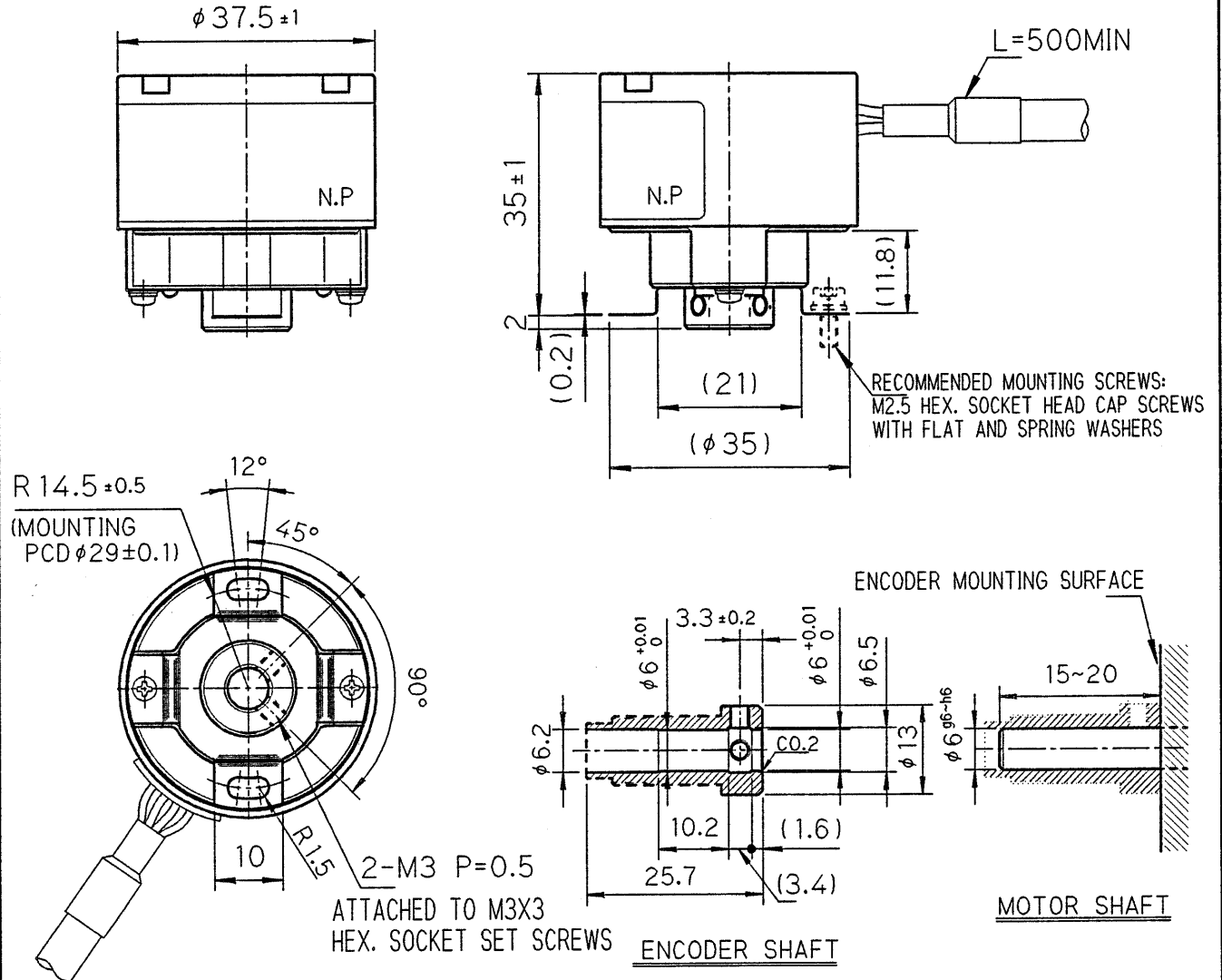


REVISIONS

NO.	DESCRIPTION	DATE / SIGN



NOTES

1. Z IS GENERATED WHEN HUB IS ORIENTED AS SHOWN ABOVE.
2. SHAFT LENGTH $15\sim 20\text{mm}$ MAX. FROM MOUNTING SURFACE.
3. PULLING THE CABLE CAUSES DISCONNECTION OF LEADS FROM THE ENCODER.
4. PLEASE USE A BALL POINT WRENCH OR HEX KEY WRENCH(FIG.1) TO TIGHTEN THE MOUNTING SCREW.
5. DIMENSIONS TOLERANCE $\pm 0.5\text{mm}$ (UNLESS OTHERWISE SPECIFIED)

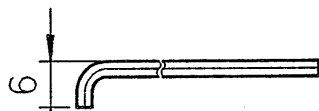


FIG.1 HEX KEY WRENCH

DS'DN <i>Hana</i>	DATE 96. 8.21	MODEL NO.					TITLE FA-CODER					
<i>S. Nakajima</i>	SCALE 1/1	3RD ANGLE PROJECTION					OUTLINE					
CH'D <i>R. Tamura</i>	DWG NO.	3	4	5	6	7	8	9	10	11	12	SHEET
APP'D <i>Yoden</i>	052125003F	4	0	0	3	F	4	0	/			