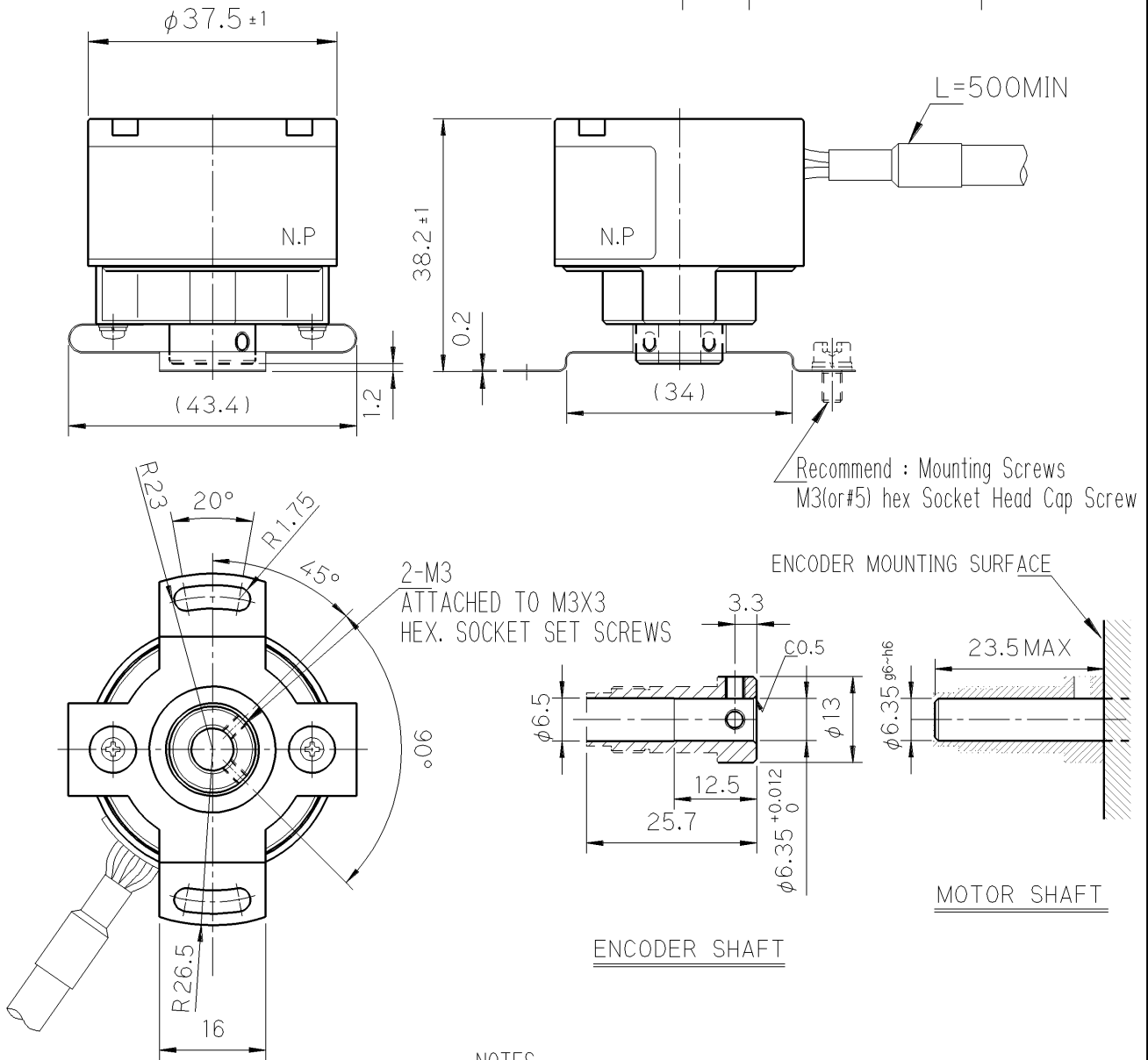


REVISIONS

NO.	DESCRIPTION	参考出図	SIGN



NOTES

1. Z IS GENERATED WHEN HUB IS ORIENTED AS SHOWN ABOVE.
2. SHAFT LENGTH 23.5mm MAX. FROM MOUNTING SURFACE.
3. PULLING THE CABLE CAUSES DISCONNECTION OF LEADS FROM THE ENCODER.
4. DIMENSIONS TOLERANCE $\pm 0.5\text{mm}$ (UNLESS OTHERWISE SPECIFIED)

DS'D <i>K. Kumazaki</i>	DATE 05. 2.12	MODEL NO.						TITLE FA-CODER OUTLINE						
CH'D <i>K. Kumazaki</i>	SCALE 1/1	3RD ANGLE PROJECTION						8	9	10	11	12	SHEET	
APP'D <i>Kaz. Iwasaki</i>	DWG NO.	3	4	5	6	7	8	9	10	11	12	SHEET		
		0	T	D	0	0	2	6	4	9	Y	0	0	/